



Sapphire Infusion Pump Mounting Solutions



Compatible with both the Sapphire Multi-Therapy IV Pump and the Sapphire Epidural Pump.

Available in 1, 2, or 3 unit configurations

1 Pump Unit



PN: FA910A670

Total weight with 1 - 500 ml. IV bag and 1 pump - 4.42 lbs. (2.0 Kg)

2 Pump Unit



PN: FA910A664

Total weight with 2 - 500 ml. IV bags and 2 pumps - 7.62 lbs. (3.46 Kg)

3 Pump Unit



PN: FA910A655

Total weight with 3 - 500ml. IV bags and 3 pumps - 10.33 lbs. (4.7 Kg)

The standard version mount utilizes the Ferno Universal Pole Clamp (UPC) which attaches to any medical pole with a diameter between .75" and 1.5" (19.50 ~ 38.1mm)



Vertical Pole Configuration



Horizontal Pole Configuration



FairField Rail and MedRail Systems

Compatible with Vertical and Horizontal medical poles, FairField Rail and also the Medrail system



FERNO[®]
Aviation/Military Systems

www.fernoaviation.com

Ferno Aviation/Military Systems
735-B Branch Drive
Alpharetta, GA 30004 USA

Sapphire Mounting Solutions

Also available is the bridge version for the 2- and 3-unit configurations



PN: FA911A140

2 Unit Bridge

*Total weight with 2 – 500 ml. IV bags
and 2 pumps - 8.49 lbs. (3.85 Kg)*



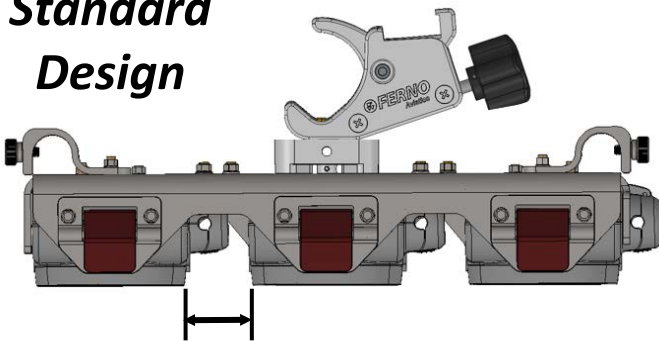
PN: FA911A145

3 Unit Bridge

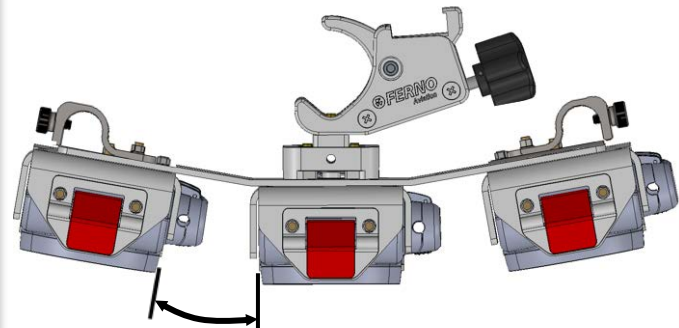
*Total weight with 3 – 500 ml. IV bags
and 3 pumps - 10.82 lbs. (4.91 Kg)*

The Bridge configuration has been specifically tailored for aviation applications. This design has greater spacing between the pumps. This allows the administration cassette to be accessed and configured without removal from the pump.

**Standard
Design**



Bridge Design



Pricing is the same for both the standard and the bridge designs. The bridge design will also work with both horizontal and vertical medical poles as well as the FairField and MedRail mounting systems.



FERNO
Aviation/Military Systems

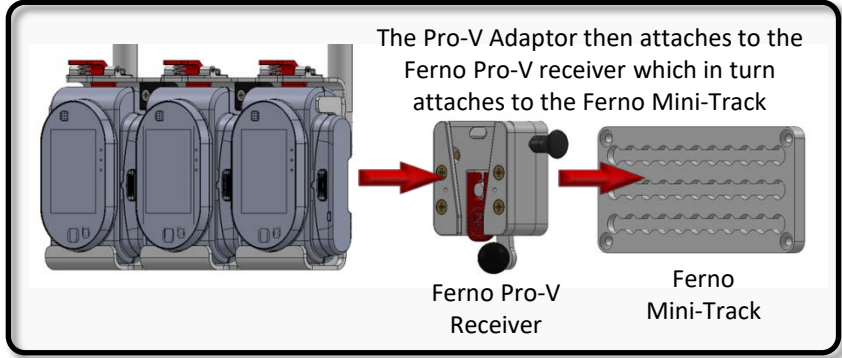
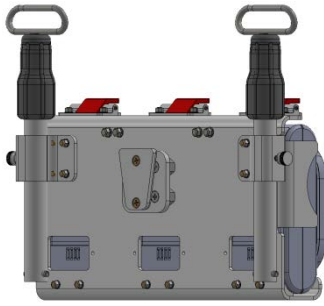
www.fernoaviation.com

Ferno Aviation/Military Systems
735-B Branch Drive
Alpharetta, GA 30004 USA

Sapphire Mounting Solutions

Available Pro Series Configuration:

Pro-V Adaptor attaches to the mount.



Available for all 3 mount configurations – 1, 2 and 3 units.

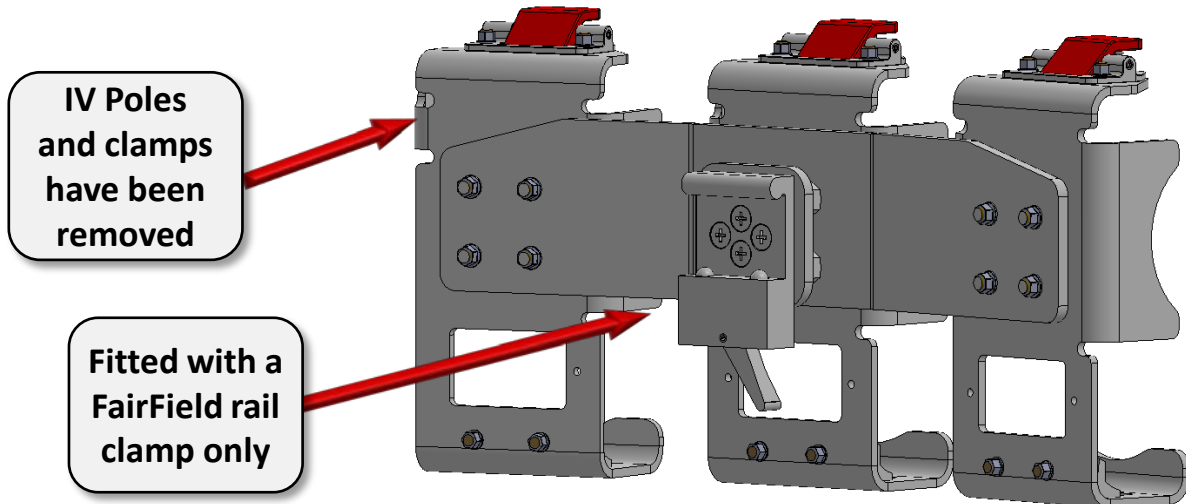
1 Unit PN: FA911A110

2 Unit PN: FA911A115

3 Unit PN: FA911A120

Aviation Specific Configuration

The 3-unit bridge version is available for aviation specific applications where load weight is critical. The total weight of this mount has been reduced to meet certain aviation load limit requirements.



The total weight of the mount with 3 pumps installed is 5.39 Lbs. (2.44 Kg.)

PN: FA911A610



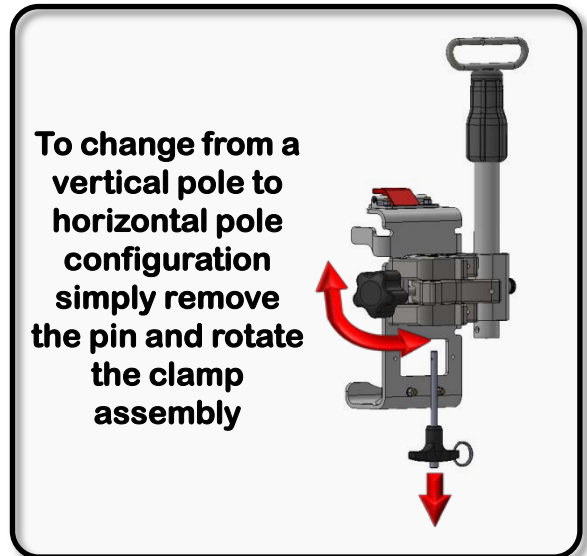
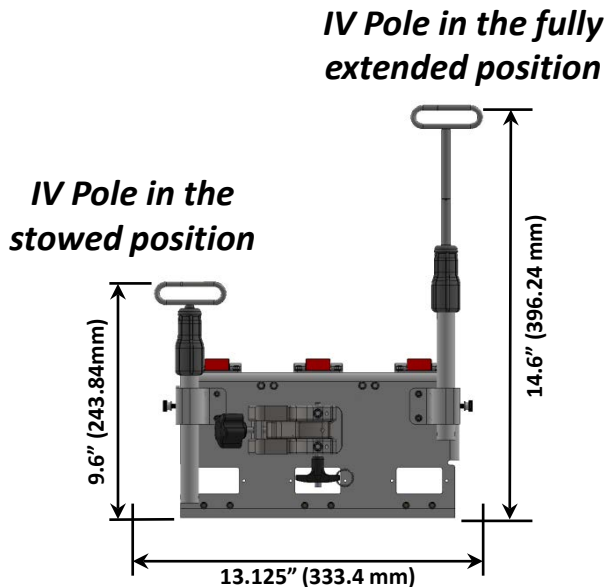
FERNO[®]
Aviation/Military Systems

www.fernoaviation.com

Ferno Aviation/Military Systems
735-B Branch Drive
Alpharetta, GA 30004 USA

IV Pole Features:

The telescoping IV pole can either be lowered to the stowed position or removed from the mount.



Features

- Stainless steel hardware
- Anodized finish for durability and protection
- Telescoping and adjustable IV pole
- Easily configured for either vertical or horizontal medical poles
- Fairfield and Medrail system compatible
- Lever action to allow for quick removal of device



CRASH TESTING:

- FAR 23.561 - Airworthiness Standards: Normal, Utility, Acrobatic, and Commuter category airplanes.
- FAR 25.561 – Airworthiness Standards: Transport Category airplanes.
- FAR 27.561 – Airworthiness Standards: Normal category Rotorcraft.
- FAR 29.561 – Airworthiness Standards: Transport Category Rotorcraft.
- SAE J3043 Ambulance Equipment Mount Device or Systems, covering Occupant Restraint and Equipment Mounting Integrity, System-Level Ambulance Patient Compartment:
 - SAE J2917 Frontal impact
 - SAE J2956 Side impact
 - SAE J3044 Rear impact

Also available is the FAA Form 8110-3 - Statement of Compliance to Airworthiness Standards, Structural Substantiation documents (SSD) and the Instructions for Continued Airworthiness (ICA), with supporting data to cover installation into your specific aircraft. Please contact Ferno Aviation for a quote.