

8

7

6

5

4

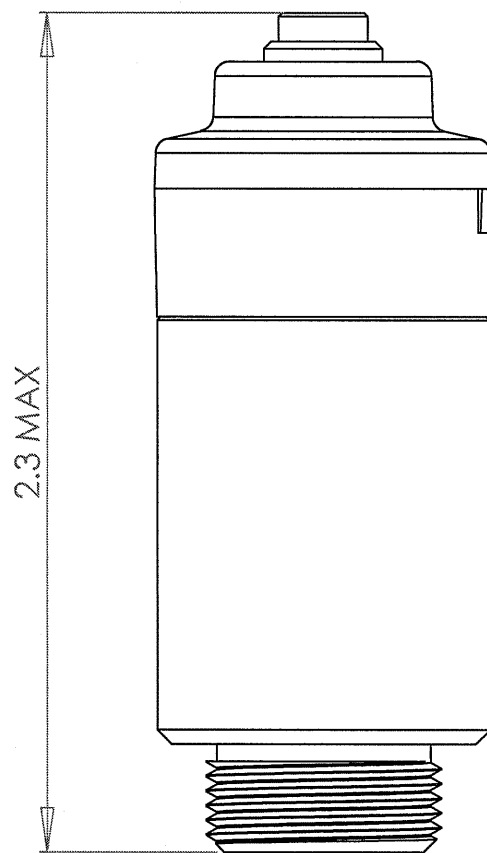
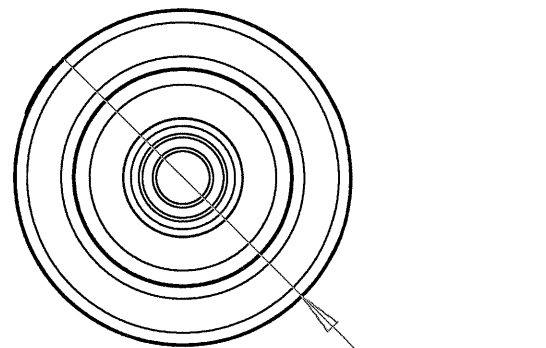
3

2

1

REVISIONS			
REV.	DESCRIPTION	DATE	APPROVED
A	INITIAL REL. DCO #5580	1/22/16	D. LARSEN

ELECTRICAL INTERFACE
 PIN 1 - HOUSING "DATA"
 PIN 2 - RING "MINUS"
 PIN 3 - TIP "POSITIVE"



SPECIFICATION	
RANGE OF MEASUREMENT:	0 TO 100%
OUTPUT RANGE:	10.5 TO 15 MV
ZERO OFFSET:	≤0.50 MV WHEN EXPOSED TO 100% NITROGEN
90% RESPONSE TIME:	≤15 SECONDS
LINEARITY:	≤2% FULL SCALE ERROR MAXIMUM
DRIFT:	PER EN ISO 80601-2-55
EXPECTED LIFETIME:	1,500,000 %O2 HOURS
TEMPERATURE COMPENSATION:	NTC
OPERATIONAL TEMPERATURE RANGE:	15° TO 40°C
STORAGE TEMPERATURE RANGE:	-15° TO 50°C
RECOMMENDED STORAGE TEMPERATURE RANGE:	5° TO 25°C
HUMIDITY RANGE:	0% TO 95% RH NON-CONDENSING
AMBIENT PRESSURE RANGE:	800-1013 MBAR
INTERFERENCE:	PER EN ISO 80601-2-55
ELECTRICAL INTERFACE:	3 PIN STEREO JACK

ALL PRODUCT SPECIFICATIONS ARE APPLICABLE AT STANDARD CONDITIONS
 23C, DRY GAS, AND 1013 MBAR

AUTHORIZED COPY
 JAN 27 2016
 EFFECTIVE DATE
 *LID ONLY IF THIS STAMP IS RED

UNLESS OTHERWISE SPECIFIED
 DIMENSIONS ARE IN INCHES
 AND PER ANSI Y14.5-1982

XX = ±.01
 XXX = ±.005
 XXXX = ±.002

ANGLES
 ±1°30'

ORIGINATOR
 R. ERICKSON 12/3/15

CHECKED
 M. SWANK 12/15/15

ENG
 M. SWANK 12/15/15

mextec[®]
 SALT LAKE CITY, UTAH

**SPECIFICATION
 MAX-550E OXYGEN SENSOR**

Q.A. D. PLOWMAN 12/17/15	MFG E. MEADS 12/23/15	CHECKED M. SWANK 12/15/15	ENG M. SWANK 12/15/15	SIZE B	DWG. NO. R140P03	REV A
--------------------------------	-----------------------------	---------------------------------	-----------------------------	------------------	---------------------	-----------------

SCALE: 2:1

SHEET 1 OF 1

8

7

6

5

4

3

2

1