

ALL PRODUCT SPECIFICATIONS ARE APPLICABLE AT STANDARD CONDITIONS:
1013 MILLIBAR, 25° C DRY AIR.

REV	DCO'S AFFECTING THIS DRAWING	DATE	APPROVED
A	INITIAL REL. #1209	4/5/99	D.L.
C	DCO # 3808 REVISED STORAGE TEMPERATURE	8/24/11	D.L.

1. Output:

9.0 to 13.0 mV

2. Operation:

Temperature: 0° – 40° C

Pressure: 600 – 1750 mBar

Relative Humidity: up to 100% RH

(Condensing atmosphere over several hours)

3. Storage Temperature Range:

–20° to 50 °C

5° to 30°C Recommended

4. Range of Measurement (Full Scale):

0 to 100% oxygen

5. Zero Offset:

Less than or equal to 0.20 mV when exposed to 100% nitrogen for 5 minutes

6. 90% Response Time:

Less than or equal to 13 seconds

7. Linearity:

<3% error

8. Stability:

Less than 1% of full scale over an 8 hour period between 20% and 100% Oxygen.

9. Repeatability:

±1% volume oxygen @ 100% oxygen applied for 5 minutes

10. Interference:

Less than 0.5% oxygen response to 80% Nitrous oxide

Less than 0.5% oxygen response to 7.5% Halothane

Less than 0.5% oxygen response to 7.5% Isoflurane

Less than 0.5% oxygen response to 7.5% Enflurane

Less than 0.5% oxygen response to 9% Sevoflurane

Less than 0.5% oxygen response to 20% Desflurane

Less than 0.5% oxygen response to 10% Carbon Dioxide

11. Nominal Life:

> 1,000,000% oxygen hours under normal operating conditions

12. Warm-up Time:

Less than 30 minutes after replacement of sensor

13. Electrical Interface:

3 Pin, Female, Molex Connector

UNLESS OTHERWISE SPECIFIED
DIMENSIONS ARE IN INCHES
AND PER ANSI Y14.5-1982

.XX = ±.01
.XXX = ±.005
.XXXX = ±.002

ANGLES
±1°30'

maxtec®

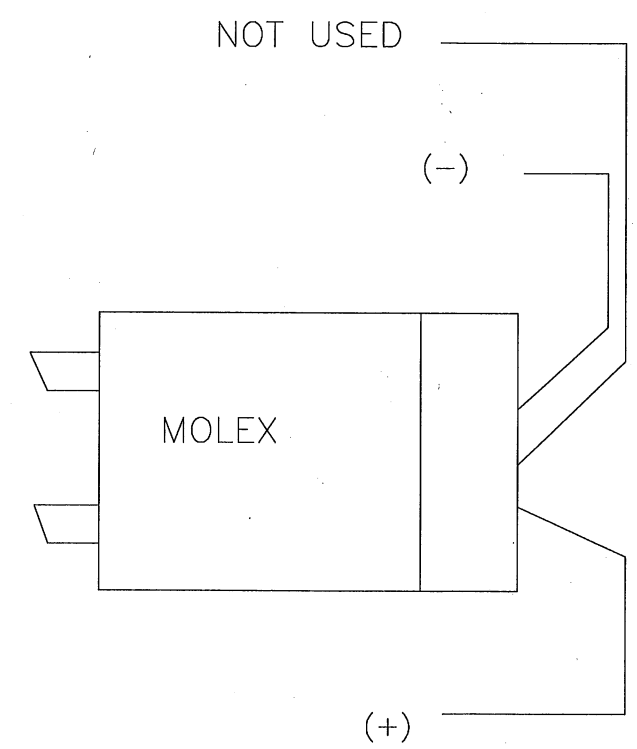
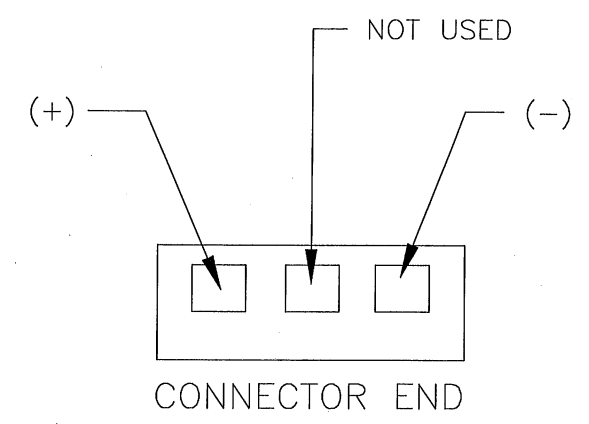
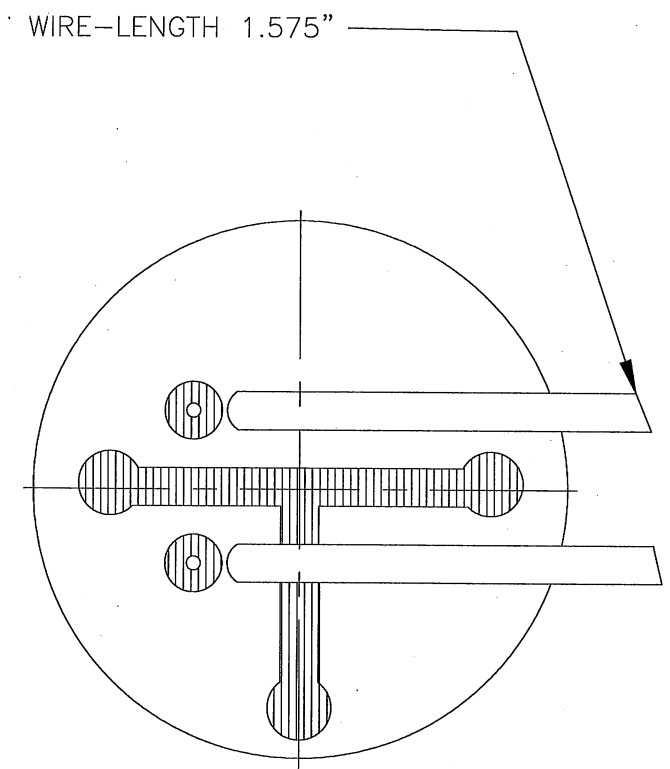
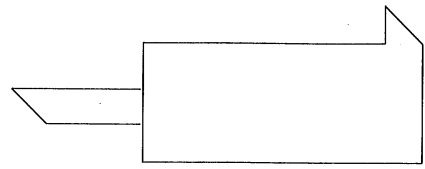
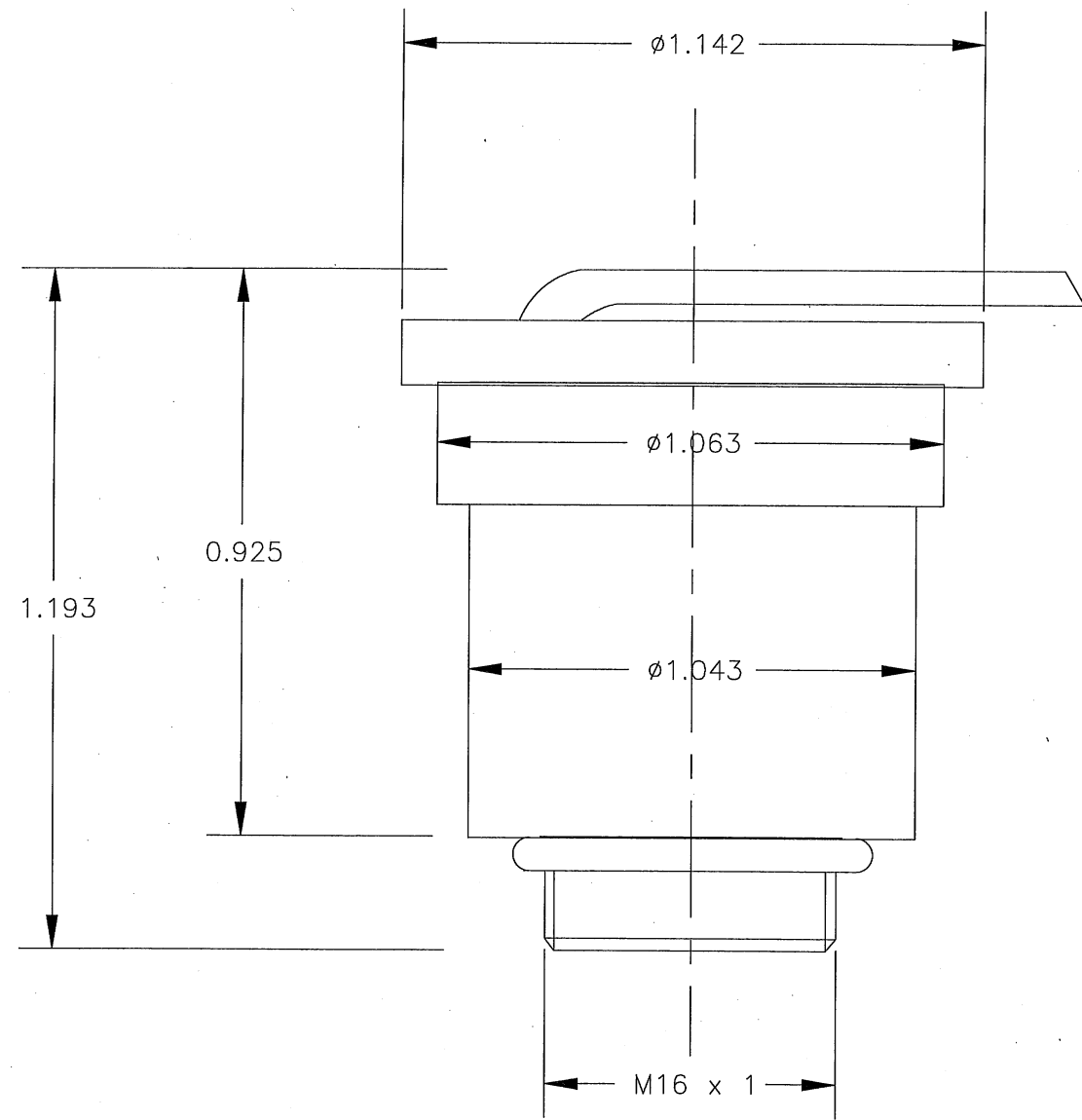
SALT LAKE CITY, UTAH 84109

SPECIFICATIONS
MAX-14 OXYGEN SENSOR

QA T. LAVERY	8/15/11	PREP D. LARSEN	3/26/99
MFG E. MEADS	8/15/11	CHKR D. GOETZ	4/5/99
		ENG C. CINDRICH	8/10/11

SIZE B	FSCM NO. 1S815	NUMBER R116P81	REV C
SCALE NONE		SHEET 1 OF 2	

D
C
B
A
R116P81
C



SIZE B	FSCM NO. 1S815	NUMBER R116P81	REV C
SCALE 2.0 = 1.0		SHEET 2 OF 2	

PROPRIETARY INFORMATION
MAYTEC

R116P86 C